



Service over and above

Albury Ph: 02 6025 8799

Fax: 02 6025 4198

Email: albury@steeline.com.au

Bathurst Ph: 02 6332 3600

Fax: 02 6332 4071

Email: bathurst@steeline.com.au

Shepparton Ph: 03 5831 1935

Fax: 03 5831 2078

Email: shepparton@steeline.com.au

Wagga Ph: 02 6921 7882

Fax: 02 6921 5213

Email: wagga@steeline.com.au

Fencing Order Form

Name: _____

Phone: _____ **P/Order Number:** _____

Delivery Address (leave blank for collection): _____

Special Instructions: _____

Total No. Panels: _____ **Length of Fence:** _____

	1.490 Sheets	1.790 Sheets	2.100 Posts	2.400 Posts	2.360 T Rails	2.360 B Rails	3.100 T Rails	Single Caps	Double Caps	10 x16 Screws
Bluestone										
Domain										
Estate										
Evergreen										
Grey Ridge										
Harvest										
Hedge										
Meadow										
Red Oak										
Riversand										
Summershade										
Teatree										
Terrace										
Willow										
Galvanised										

Extras _____



Service over and above

Albury Ph: 02 6025 8799

Fax: 02 6025 4198

Email: albury@steeline.com.au

Bathurst Ph: 02 6332 3600

Fax: 02 6332 4071

Email: bathurst@steeline.com.au

Shepparton Ph: 03 5831 1935

Fax: 03 5831 2078

Email: shepparton@steeline.com.au

Wagga Ph: 02 6921 7882

Fax: 02 6921 5213

Email: wagga@steeline.com.au

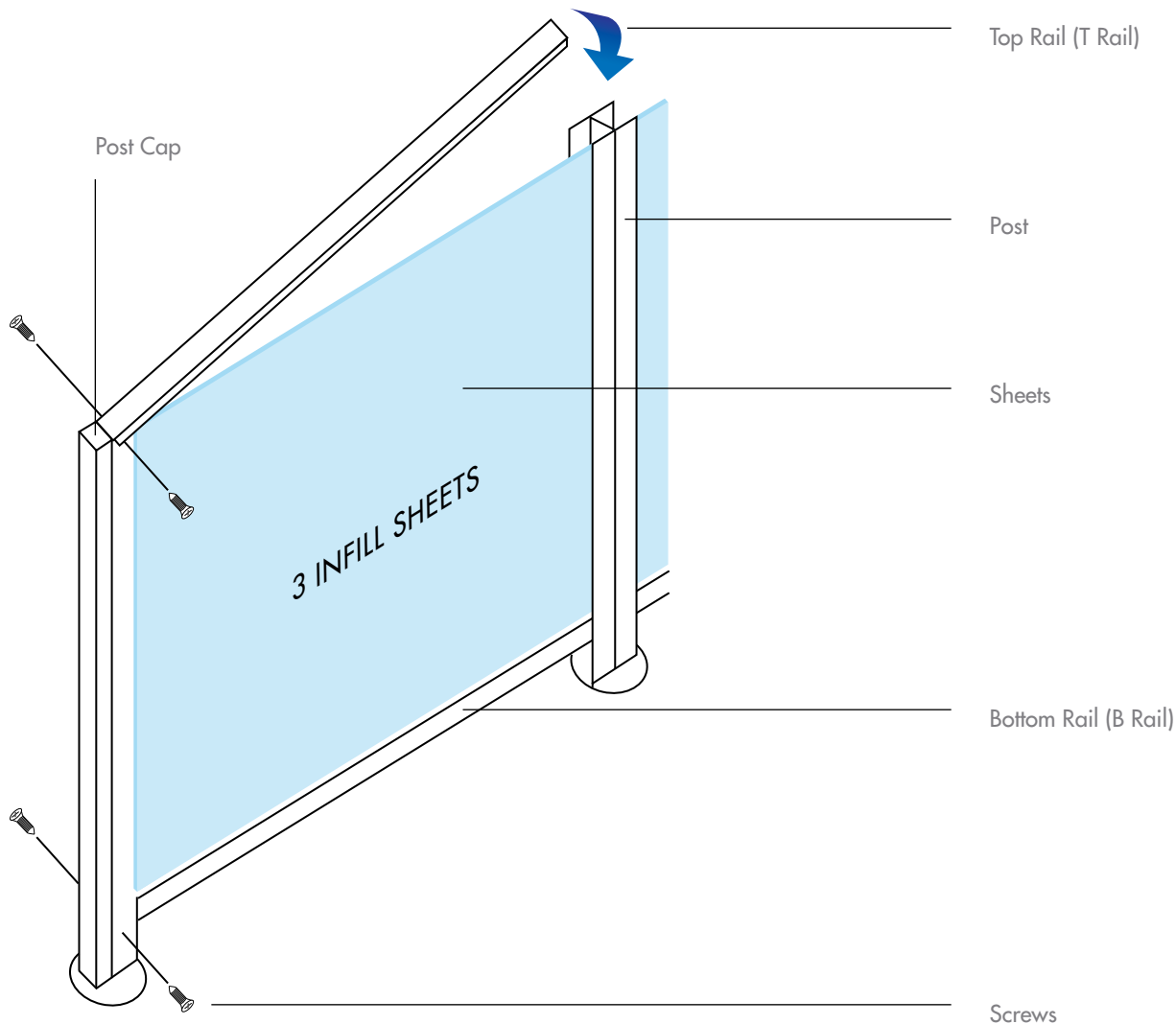
Thank you for choosing a Colorbond Fence from Steeline Roofing Centre. With so many colour and design choices, you can come up with a fence that's perfect for your home and outdoor areas.

The easiest way to work out your order is to work out how many panels you will need for your fence. The standard panel width is 2.360 meters.

When ordering separate fencing items, use the following guide per panel required:

1.5 meters (height)	1.8 meters (height)
2 x 2.100 posts	2 x 2.400 Posts
3 x 1.490 sheets	3 x 1.790 Sheets
1 x 2.360 Top Rail	1 x 2.360 Top Rail
1 x 2.360 Bottom Rail	1 x 2.360 Bottom Rail
12 x Screws	12 x Screws

(This is to be only used as a guide. If you are unsure of your fencing requirements, please contact one of our friendly staff to help you.)



Post Caps

Single Caps – These are used in the posts at each end of your entire fence.

Double Caps – These are used in the adjoining posts between each panel.